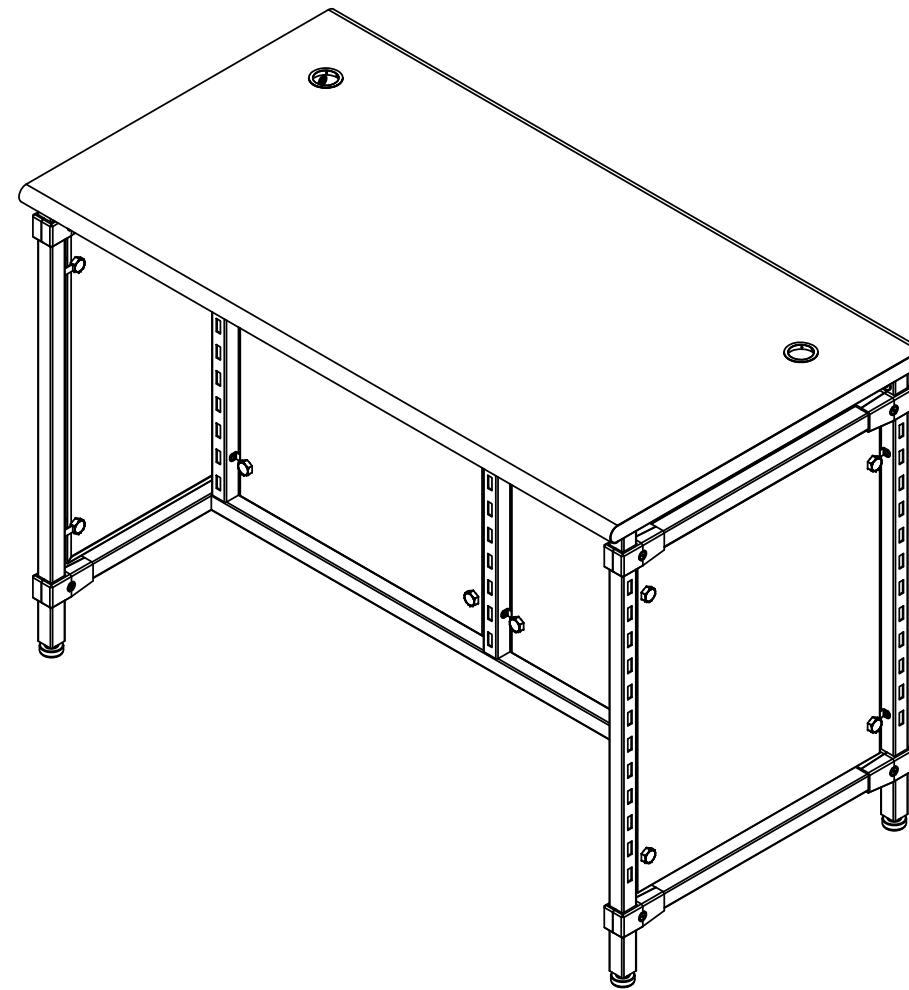
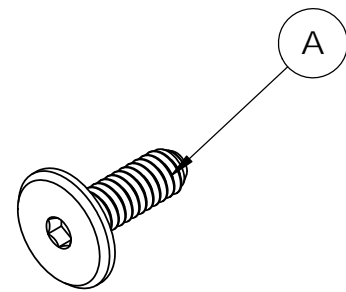


ASSEMBLY INSTRUCTIONS - 292 - CW - (CASHWRAP)

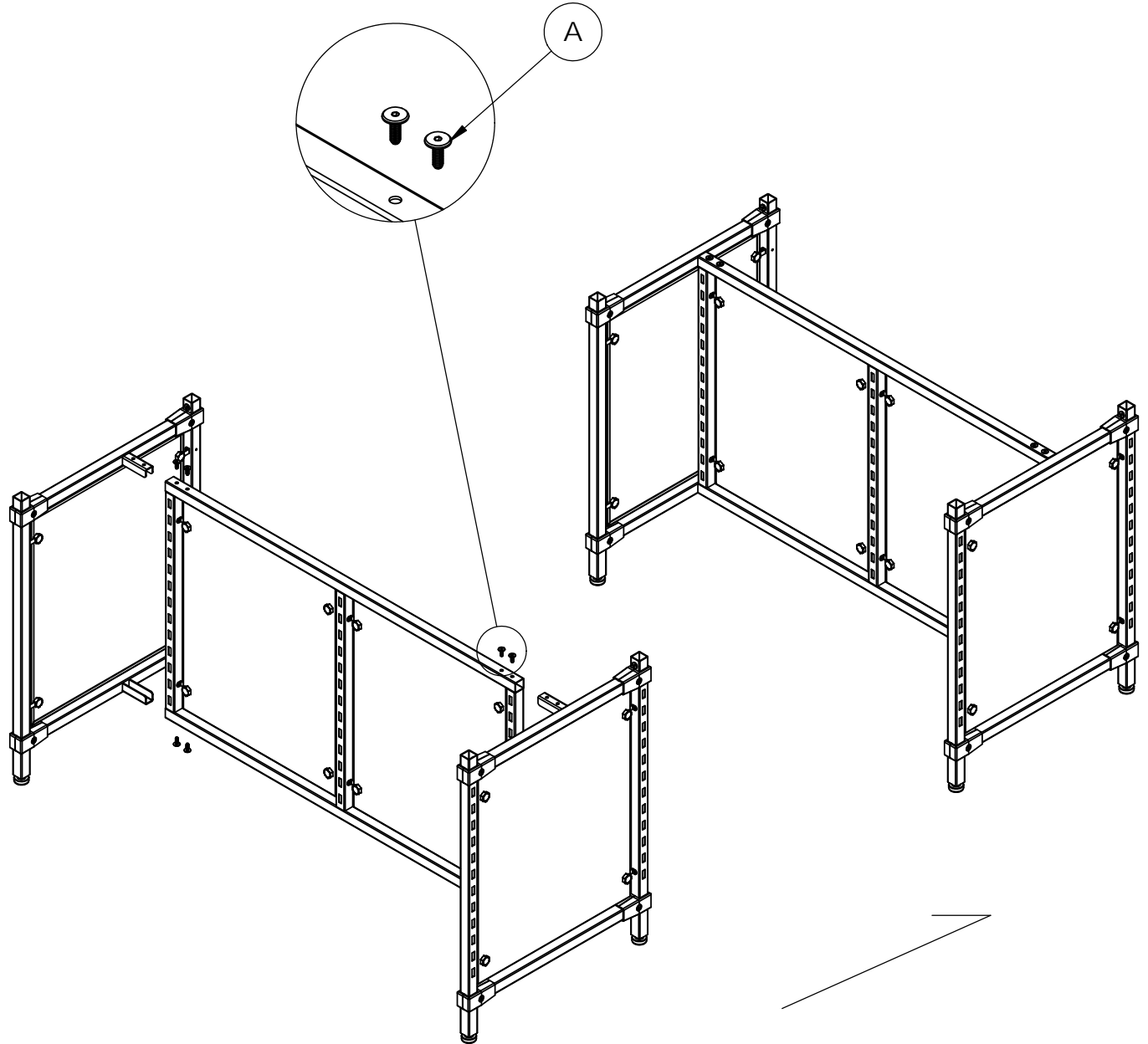


HARDWARE LIST:

	DESCRIPTION	QTY.
A	JOINT CONNECTOR BOLT 1/4"-20 X 20MM	12

ASSEMBLY INSTRUCTIONS - 292 - CW - (CASHWRAP)

STEP 1:



STEP 2:

